

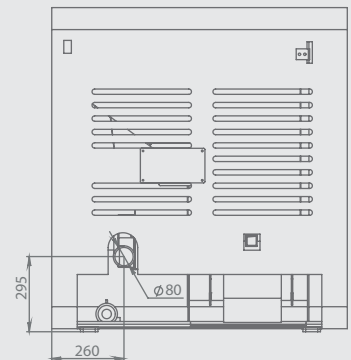
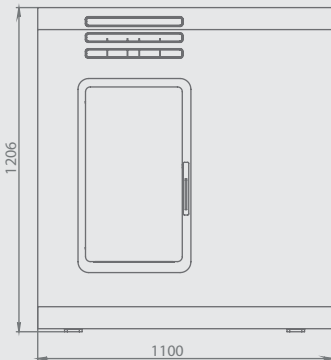


HERE COMES THE FLAME

## M A R I N

## PELLET AIR STOVE

Total thermal power	9,5 kW
Reduced thermal power	3 kW
Nominal thermal power	8,5 kW
Fuel tank capacity	50 dm <sup>3</sup>
Temp. Of exhaust gases at total thermal power	157° C
Efficiency	90,2%
Weight	140 kg
Smoke outlet	80 mm
Heating surface	100 m <sup>2</sup>
Approximated fuel consumption	0,7 – 2,0 kg/h
Supply voltage	230 V – 50 Hz
Air volume	620 m <sup>3</sup> /h
Thermal heating adjustment range	3 kW - 9,5 kW
Fire clay	Yes



[www.mz-stoves.com](http://www.mz-stoves.com)